



BOSCH		1 928 A00 33M -E	1st Use (Item) 6-pin plug connection for LSU 4.9
Installation Instructions for Customers			Sheet: 1 von 8

							Date/	Name/
						Sig./	30.07.01	Da
						Ckd./	30.07.01	Pd
						Rev./	30.07.01	Sc
						Original:	WaW/TEF23	
						Master- ile:	GS-CP/ENG file	
03	Variant with CPA added	Co	02.09.04	Pd				
02	Level of development release	Zn	01.02.02	Pd				
01	New edition	Da	30.07.01	Pd				
No.	Change	Sig.	Valid	Ckd.				

Table of Contents:

Point	Contents	Page
1.	As-delivered condition	2
2.	Assembly of the plug connection	3
3.	Disconnection of the plug connection	4
4.	Variant of the cable harness plug with CPA	5-8

BOSCH 	1 928 A00 33M -E	1st Use (Item) 6-pin plug connection for LSU 4.9
		Installation Instructions for Customers

1. As-Delivered Condition

Item	Name
1	Coupling plug 6-pin
2	Cable harness plug 6-pin

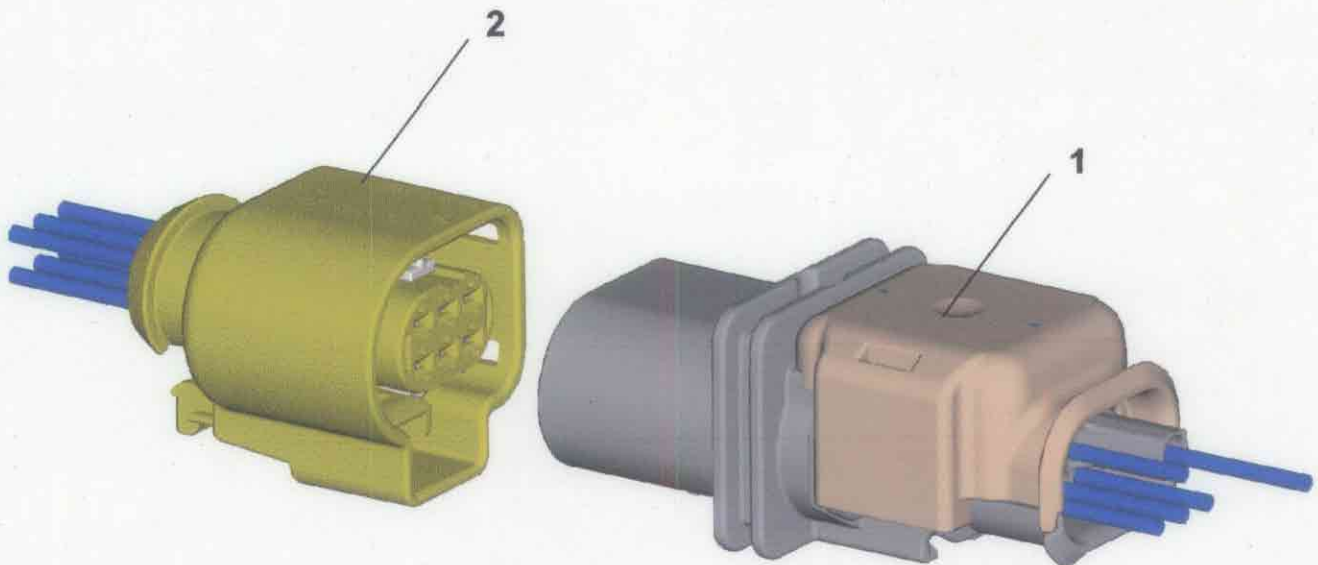



Fig. 1.1 Exploded presentation

BOSCH 	1 928 A00 33M -E	1st Use (Item) 6-pin plug connection for LSU 4.9
		Installation Instructions for Customers

2. Assembly of the Plug Connection

Align the coupling plug to the cable harness plug (Fig.2.1) and push together evenly until the latch window of the cable harness plug snaps into the latch hook on the coupling plug. The plug connector is in the end position when the latch hook has snapped into the latch window.

Attention:

- Use only coding which belongs together (see AZ 1 928 A00 019 and 1 928 A00 039), otherwise cannot be assembled.
- The contacts and the insulation of the electrical lines as well as the individual conductor seals and sealing surfaces may not be damaged.

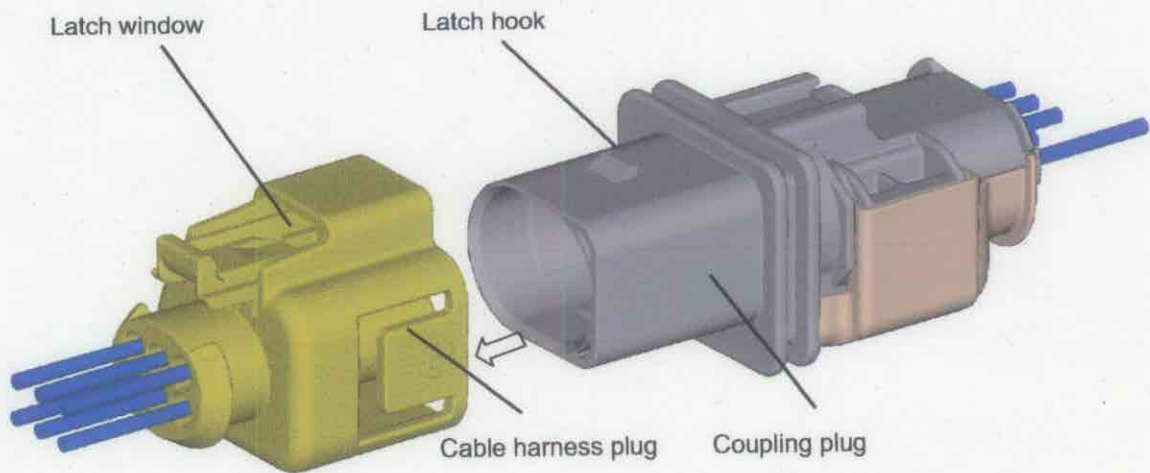


Fig. 2.1 Assembly cable harness plug with coupling plug

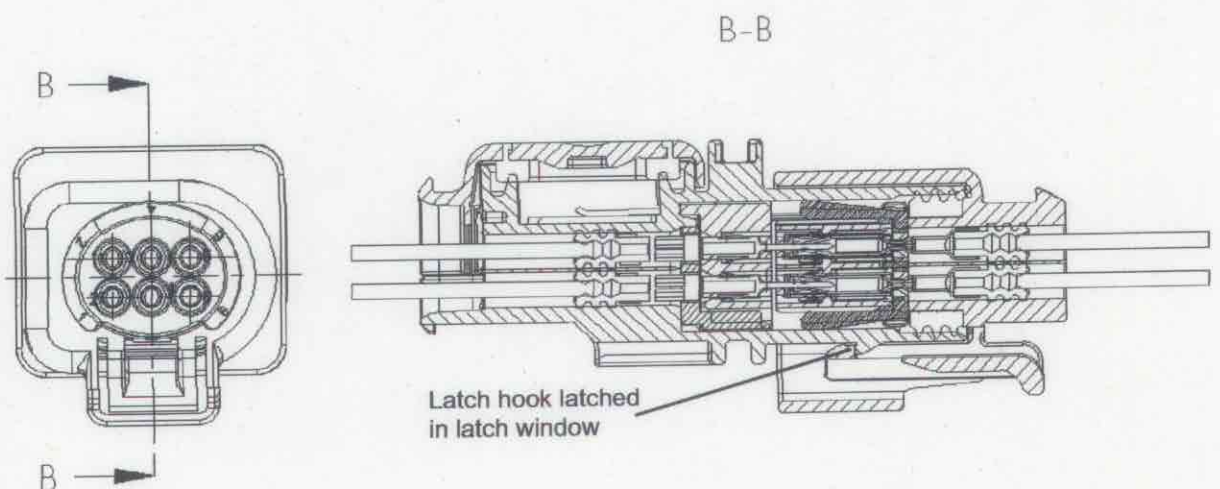


Fig. 2.2 Assembled presentation

BOSCH	®	1 928 A00 33M -E	1st Use (Item) 6-pin plug connection for LSU 4.9
		Installation Instructions for Customers	Sheet: 4 von 8

3. Disconnection of the Plug Connection

For the disconnection of the plug connection, the following steps are to be performed:

1st Step: The latching arm of the cable harness plug must be pressed downwards in the area marked (Fig. 3.1). By pressing the latching arm downwards, the plug connection is released.

2nd Step: The cable harness plug can now be pulled out of the coupling plug.

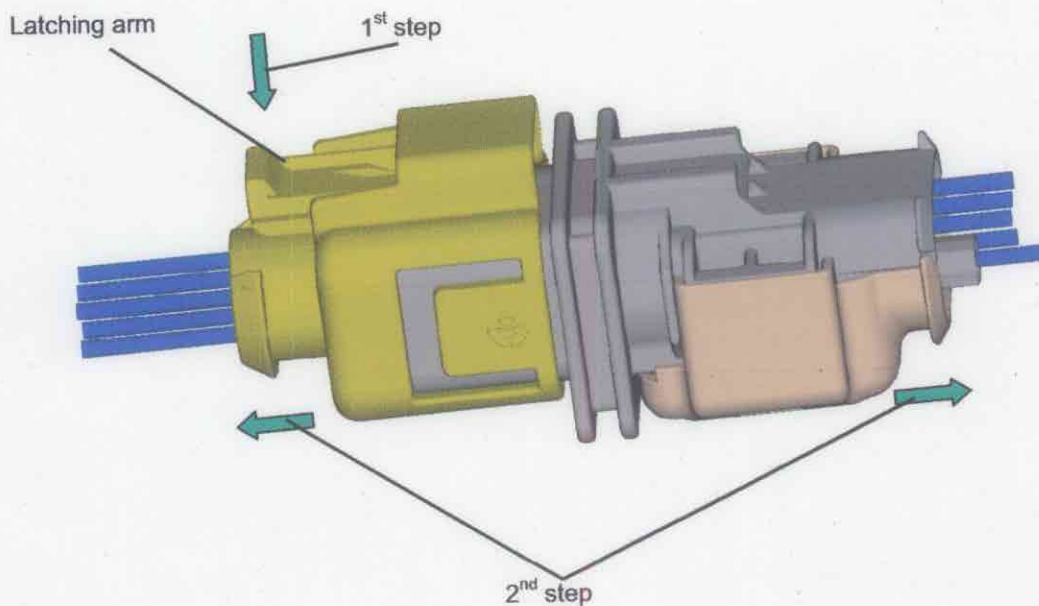


Fig. 3.1 Disconnection of plug connection

BOSCH	®	1 928 A00 33M -E	1st Use (Item) 6-pin plug connection for LSU 4.9
		Installation Instructions for Customers	Sheet: 5 von 8

4. Variant of the cable harness plug with CPA

4.1 Assembly of the plug connection

For the assembly of the plug connection, the following steps are to be performed:

- 1st Step:** Align the coupling plug to the cable harness plug with pre-mounted CPA in accordance with 2.1 (Fig. 2.1). The CPA is blocked by the latch window in the pre-mounted condition and cannot be moved (Fig. 4.1.1).

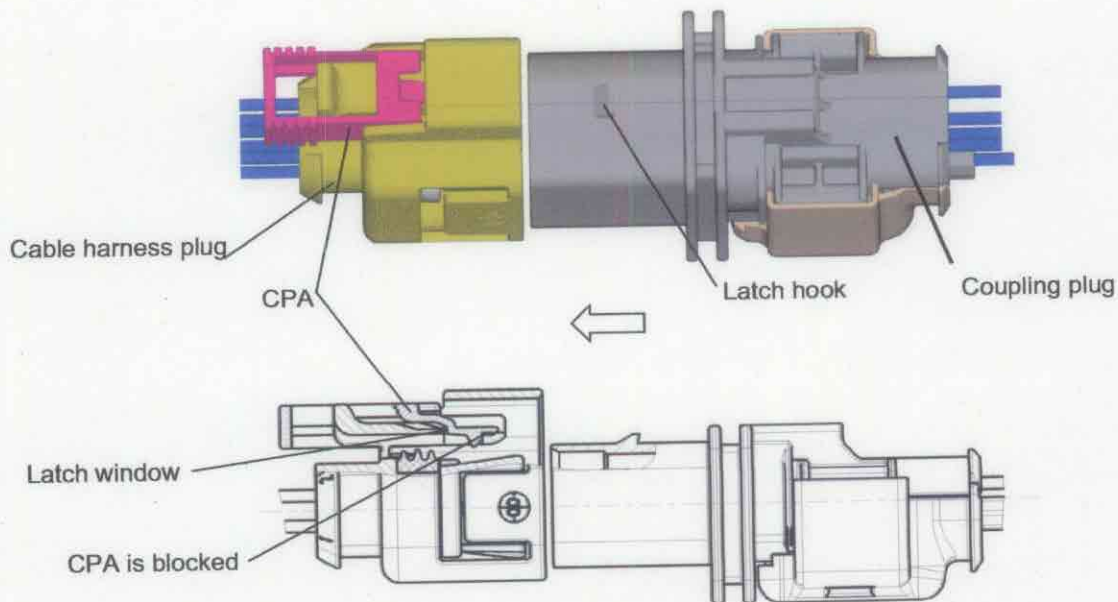


Fig. 4.1.1 Assembly of the plug connection

- 2nd Step:** Push together evenly the coupling plug to the cable harness plug until the latching window on the cable harness plug snaps into the latch hook of the coupling plug.

- 3rd Step:** The plug connector is in the end position when the latch hook has snapped into the latch window. In this position the CPA is released by the latch hook and can be closed (Fig. 4.1.2).

Attention:

If the CPA cannot be moved or closed, the plug connection is not properly rested and can be released again -> repeat step 1-3 .

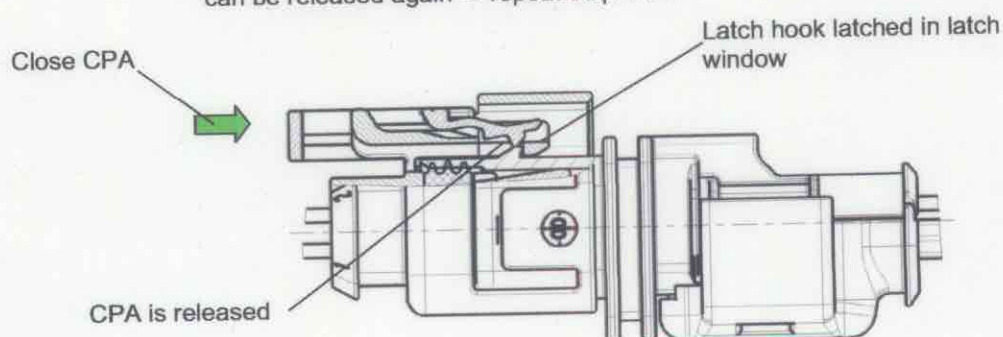



Fig. 4.1.2 CPA is released

BOSCH 	1 928 A00 33M -E	1st Use (Item) 6-pin plug connection for LSU 4.9
	Installation Instructions for Customers	Sheet: 6 von 8

4th Step: Close CPA and move into the end position.
 The CPA is in end position when the latching arm of CPA has snapped behind the latch hook of the cable harness plug. The latching arm of the cable harness plug is blocked by the CPA and cannot be opened no more (Fig. 4.1.3).
 The cable harness plug cannot be pulled out of the coupling plug.

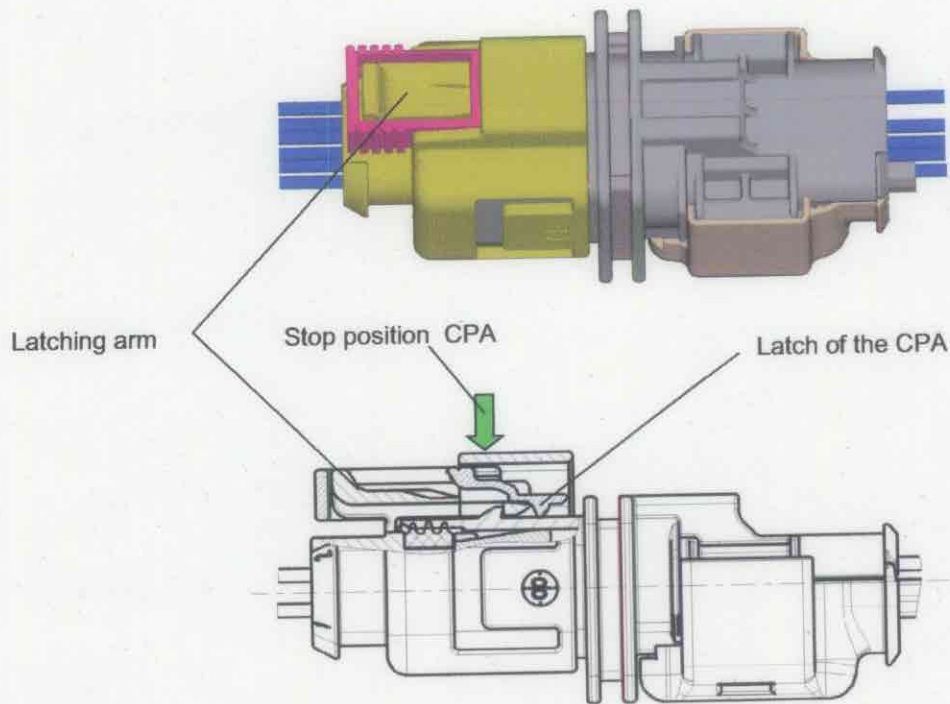



Fig. 4.1.3 CPA is closed

BOSCH 	1 928 A00 33M -E	1st Use (Item) 6-pin plug connection for LSU 4.9
	Installation Instructions for Customers	Sheet: 7 von 8

4.2 Disconnection of the plug connection

For the disconnection of the plug connection, the following steps are to be performed:

1st Step: Release the CPA from the end position (Fig. 4.2.1).

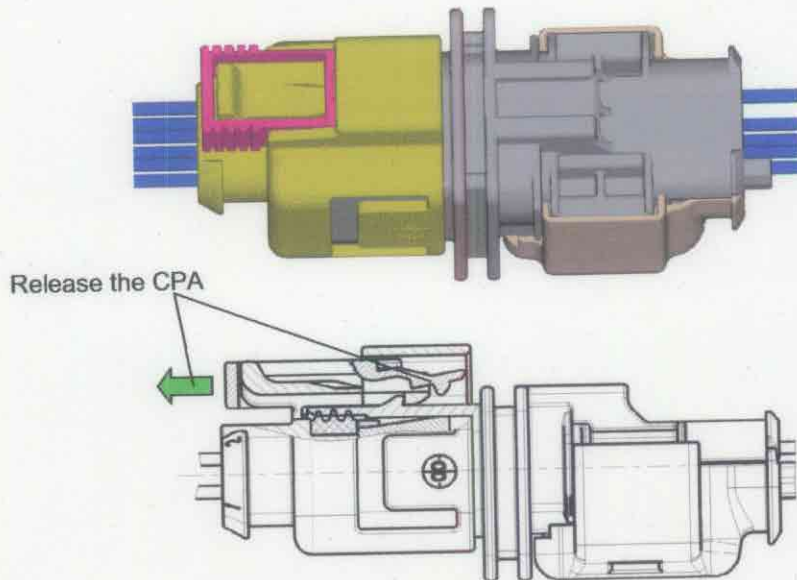


Fig. 4.2.1 CPA is released

2nd Step: Move the CPA in direction arrow up to the stop position (Fig. 4.2.2). The blocking of the latching arm at the cable harness plug is released.

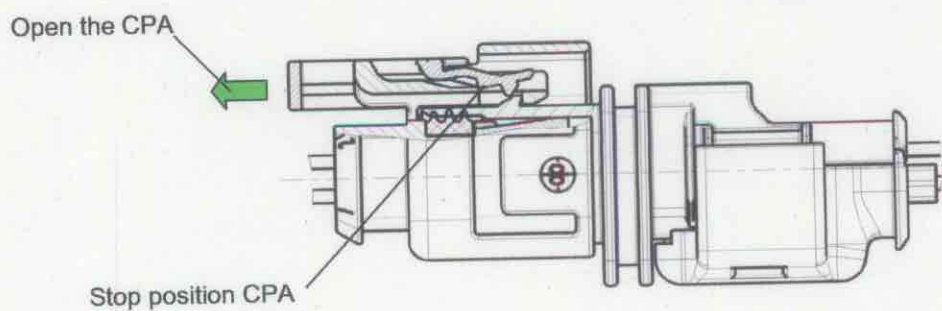



Fig. 4.2.2 CPA is opened

BOSCH 	1 928 A00 33M -E	1st Use (Item) 6-pin plug connection for LSU 4.9
	Installation Instructions for Customers	Sheet: 8 von 8

3rd Step: The latching arm of the cable harness plug can now be pressed downwards in the area marked (Fig. 4.2.3). By pressing the latching arm downwards, the plug connection is released.

4th Step: The cable harness plug can now be pulled out of the coupling plug .

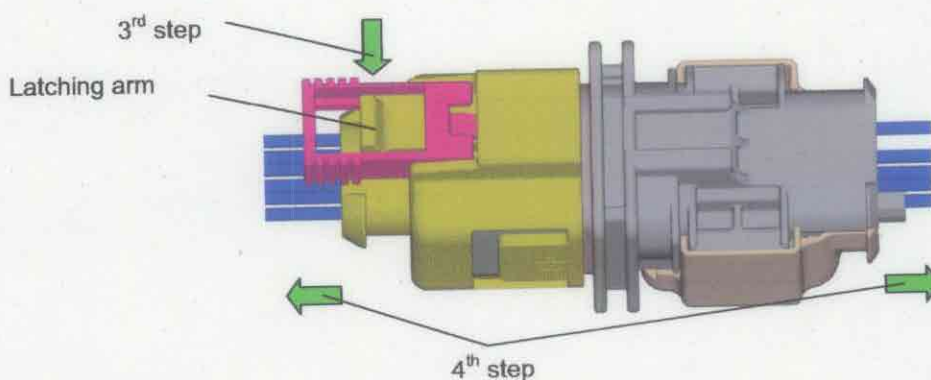


Fig. 4.2.3 Disconnection of the plug connection